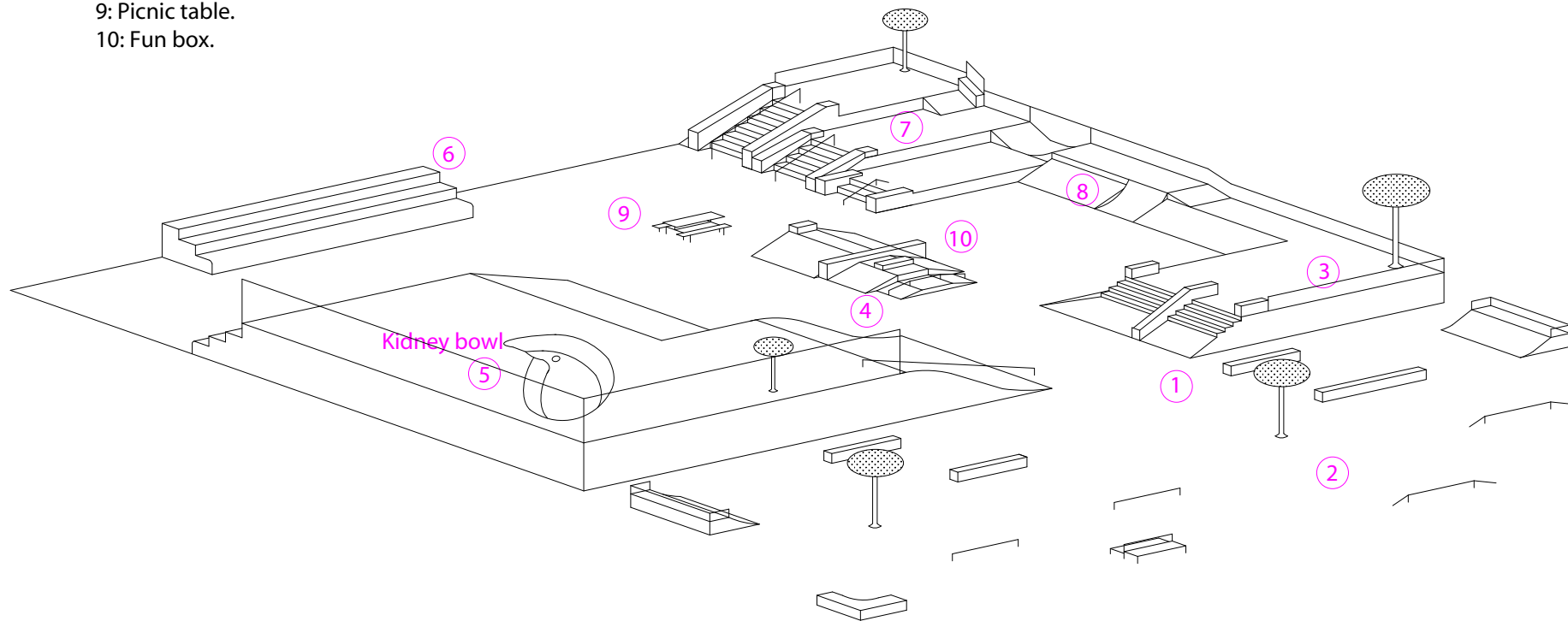


Contents:

- 1: Flat bank and block area.
- 2: Rail and bench area.
- 3: Euro gap.
- 4: Roller access to euro gap and hip ramp.
- 5: Kidney bowl.
- 6: Three stage seating - skateable.
- 7: Flights of stairs - a 3, 5 and 7 flight.
- 8: Flat bank with quarter pipe and ledge.
- 9: Picnic table.
- 10: Fun box.



**strat**CORP  
consulting

## Skatepark designs

ICE IT 130 Mt Alexander road, Flemington, Victoria, 3031, Australia.  
Ph: (03) 9376 4465. Fax: (03) 9376 4759. Mobile: 0412 854 676.  
www.iceit.com.au

Designed by:  
Tony Hallam

Checked by:  
Tony Hallam

Approved by-date:

Filename:  
frankstonconcept1

Date:  
05/10/02

Scale:  
N.T.S

**Frankston City Council  
Concept**

**Proposed Regional Skatepark.**

Edition:  
2

Sheet:  
1 of 1